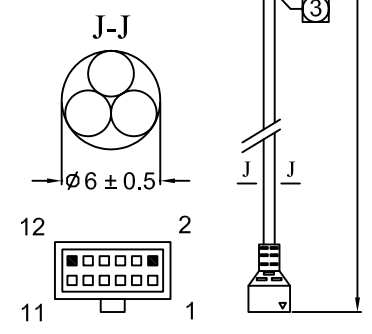


- NOTES:
1. ALL DIMENSIONS ARE IN MILLIMETERS.
DIMENSIONS SHOWN ARE PROJECTED DISTANCES.
 2. THE HEAT STRENGTHENED GLASS THICKNESS: 6 mm NOMINAL.
 - 3 TRANSDUCCERS ARE LOCATED AT THE POSITIONS SHOWN.
GLASS IS BEVELED UNDER TRANSDUCCERS.
 4. CABLES ARE ROUTED ALONG THE EDGE OF THE GLASS.
 5. THE TOUCH ACTIVE AREA IS LESS THAN THE VIEWABLE AREA TO FACILITATE SEALING.
 6. ARRAY PATTERNS ARE CENTERED ON GLASS WITH A TOLERANCE OF ± 1.3 mm.

| CONNECTION CHART | | | |
|------------------|-------------|------------------|--------------|
| PIN | SIGNAL | INSULATION COLOR | JACKET COLOR |
| 1 | GROUND | OVERALL SHIELD | |
| 2 | KEY | | |
| 3 | Y RECEIVE+ | BLU | BLK |
| 4 | Y TRANSMIT+ | BLU | GRY |
| 5 | Y RECEIVE- | BLK | BLK |
| 6 | Y TRANSMIT- | YEL | GRY |
| 7 | GROUND | INNER SHIELD | |
| 8 | X TRANSMIT- | RED | RED |
| 9 | X RECEIVE- | RED | BLK |
| 10 | X TRANSMIT+ | GRN | RED |
| 11 | X RECEIVE+ | WHT | BLK |
| 12 | KEY | | |



| | | |
|---|----------------|--------------|
| 宇鴻光電股份有限公司 ATouch Technologies Co., Ltd. | | |
| P/N: | | SAW191T2G1 |
| DRAWN BY | DIMENSION UNIT | ISSUE DATE |
| KEN | mm | 03 / 31 / 07 |
| CHECKED BY | SCALE | REV |
| MELISSA | NOT TO SCALE | E |