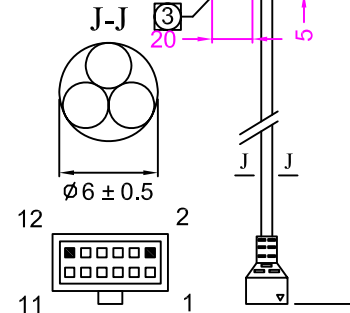
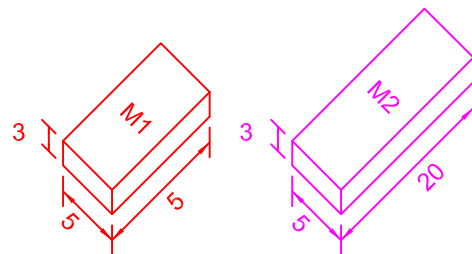


NOTES:

1. ALL DIMENSIONS ARE IN MILLIMETERS. DIMENSIONS SHOWN ARE PROJECTED DISTANCES.
2. GLASS THICKNESS: 6 mm NOMINAL.
3. TRANSDUCERS ARE LOCATED AT THE POSITIONS SHOWN. HEIGHT OF TRANSDUCER ABOVE GLASS 1.8mm MAX.
4. CABLES ARE ROUTED ALONG THE EDGE OF THE GLASS.
5. THE TOUCH ACTIVE AREA IS LESS THAN THE VIEWABLE AREA TO FACILITATE SEALING.
6. ARRAY PATTERNS ARE CENTERED ON GLASS WITH A TOLERANCE OF ± 1.3 mm.

CONNECTION CHART			
PIN	SIGNAL	INSULATION COLOR	JACKET COLOR
1	GROUND	OVERALL SHIELD	
2	KEY		
3	Y RECEIVE+	BLU	BLK
4	Y TRANSMIT+	BLU	GRY
5	Y RECEIVE-	BLK	BLK
6	Y TRANSMIT-	YEL	GRY
7	GROUND	INNER SHIELD	
8	X TRANSMIT-	RED	RED
9	X RECEIVE-	RED	BLK
10	X TRANSMIT+	GRN	RED
11	X RECEIVE+	WHT	BLK
12	KEY		



宇鴻光電股份有限公司 ATouch Technologies Co., Ltd.		
P/N:		SAW320T1G2
DRAWN BY	DIMENSION UNIT	ISSUE DATE
JOHNSON	mm	11 / 13 / 07
CHECKED BY	SCALE	REV
MELISSA	NOT TO SCALE	1