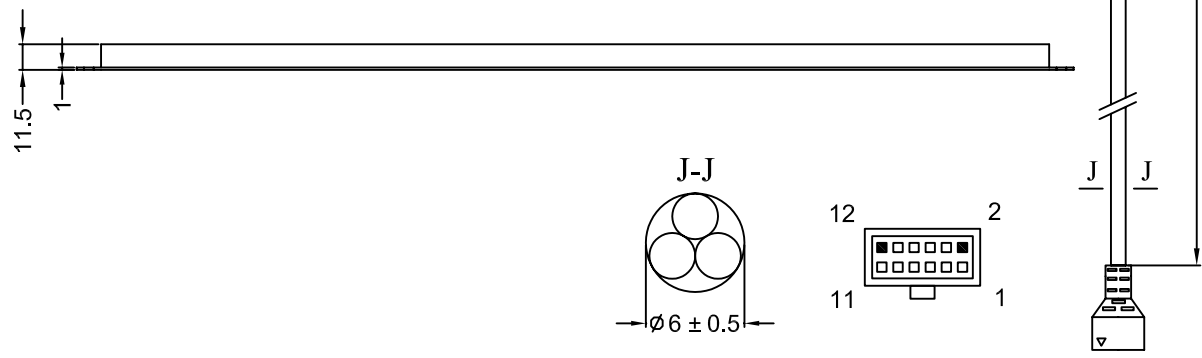


- NOTES:
1. ALL DIMENSIONS ARE IN MILLIMETERS.
 2. GLASS THICKNESS: 6mm NOMINAL.
 3. THE TOUCH ACTIVE AREA IS LESS THAN THE VIEWABLE AREA TO FACILITATE SEALING.

CONNECTION CHART			
PIN	SIGNAL	INSULATION COLOR	JACKET COLOR
1	GROUND	OVERALL SHIELD	
2	KEY		
3	Y RECEIVE+	BLU	BLK
4	Y TRANSMIT+	BLU	GRY
5	Y RECEIVE-	BLK	BLK
6	Y TRANSMIT-	YEL	GRY
7	GROUND	INNER SHIELD	
8	X TRANSMIT-	RED	RED
9	X RECEIVE-	RED	BLK
10	X TRANSMIT+	GRN	RED
11	X RECEIVE+	WHT	BLK
12	KEY		



宇鴻光電股份有限公司 ATouch Technologies Co., Ltd.		
P/N: SAW17PT1G1-A		
DRAWN BY KEN	DIMENSION UNIT mm	ISSUE DATE 03 / 31 / 07
CHECKED BY MELISSA	SCALE NOT TO SCALE	REV E