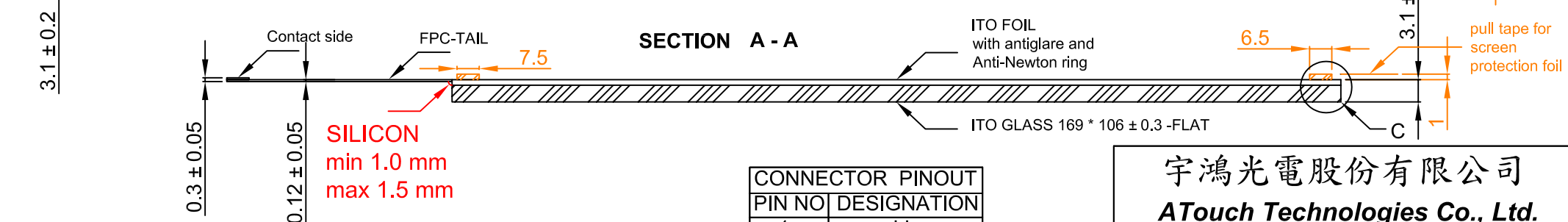
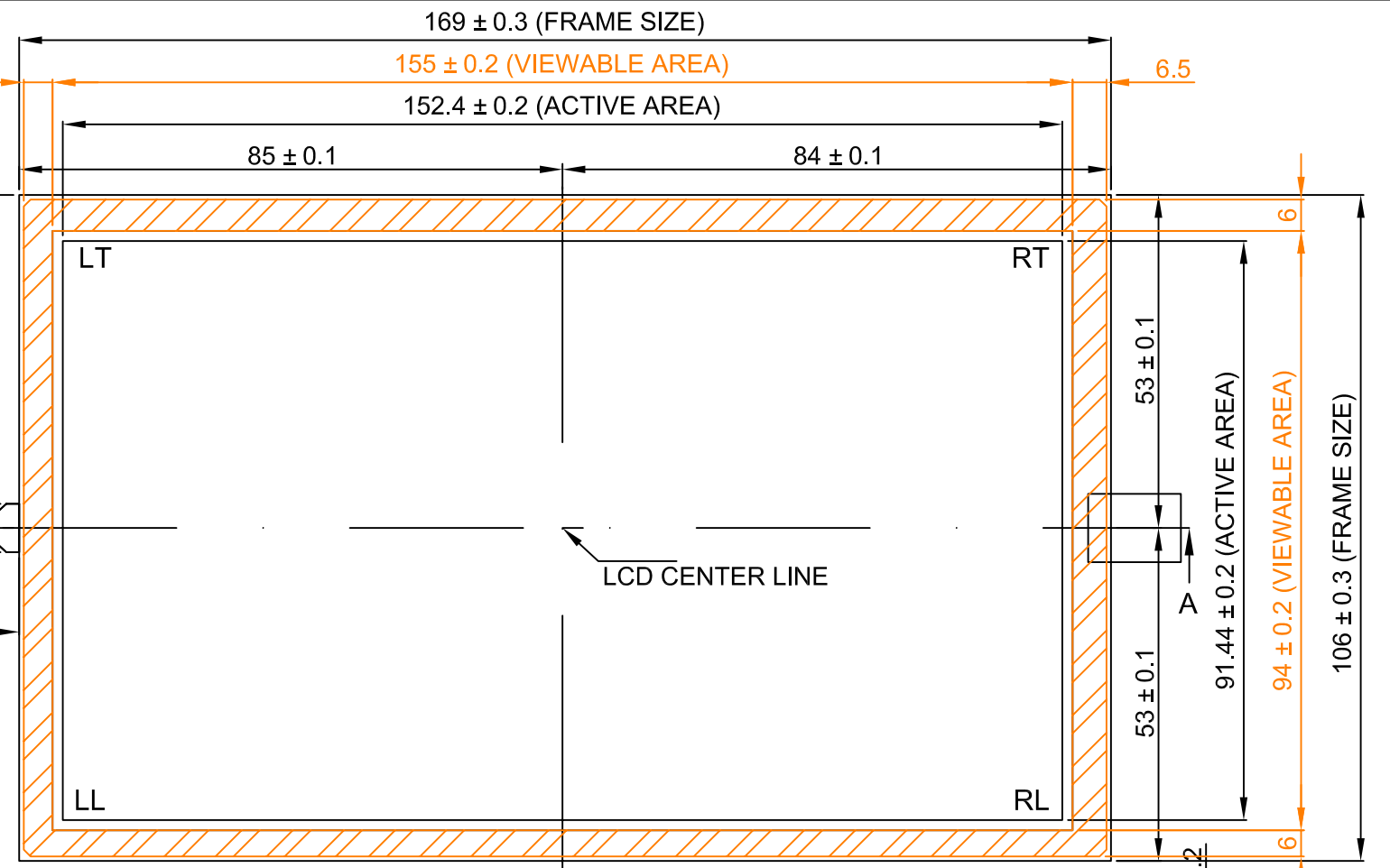
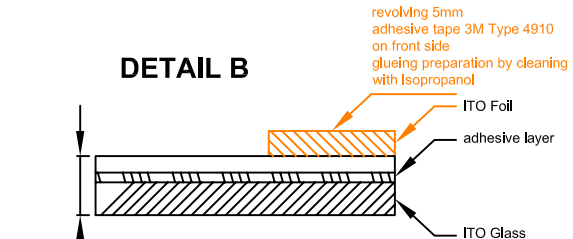
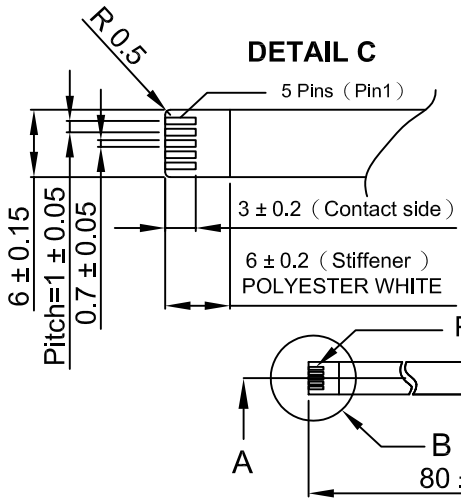


**NOTE:**

- 1.CABLE IS ATTACHED TO THE LEFT SIDE OF TOUCH POINT AS SHOWN.
- 2.FPC TAIL CONNECTOR:PITCH 1.00 mm.
- 3.ITO FOIL WITH ANTIGLARE AND ANTI-NEWTON RING .



P/N	COVERSHEET TYPE	GLASS THICKNESS	FINISHED PART THICKNESS
5WR0703FB7	ANTI-NEWTON RING	2.8	3.1 ± 0.2

CONNECTOR PINOUT	
PIN NO	DESIGNATION
1	LL
2	LT
3	SG
4	RL
5	RT

**宇鴻光電股份有限公司**  
**ATouch Technologies Co., Ltd.**

MODEL NUMBER		5WR0703FB7
DRAWN BY	DIMENSION UNIT	ISSUE DATE
KEN JHUANG	mm	12 / 30 / 09
CHECKED BY	SCALE	REV
MELISSA WEI	NOT TO SCALE	A