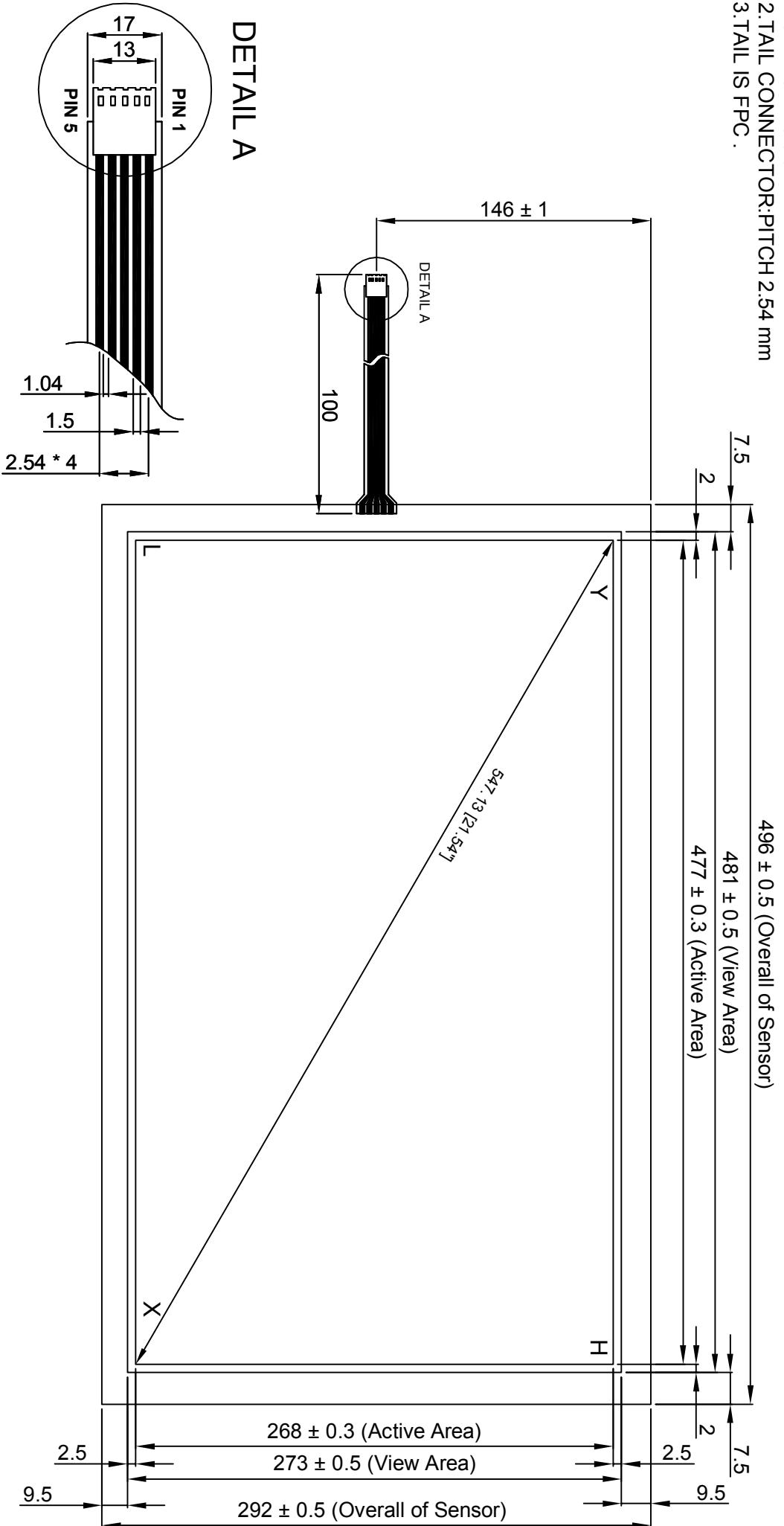


- NOTE:
1. CABLE IS ATTACHED TO THE LEFT SIDE OF TOUCH PANEL.
 2. TAIL CONNECTOR: PITCH 2.54 mm
 3. TAIL IS FPC.



DETAIL A

P/N	COVERSHEET TYPE	GLASS THICKNESS	FINISHED PART THICKNESS
5WR2152FB7	ANTI-NEWTON RING	1.8	2.1 ± 0.2

CONNECTOR PINOUT	PIN NO	ASSIGNMENT
	1	Y
	2	H
	3	S
	4	X
	5	L

宇鴻光電股份有限公司 ATouch Technologies Co., Ltd.	
MODEL NUMBER	5WR2152FB7
DRAWN BY	KEN JHUANG
CHECKED BY	MELISSA WEI
DIMENSION UNIT	mm
SCALE	NOT TO SCALE
ISSUE DATE	06 / 07 / 11
REV	A