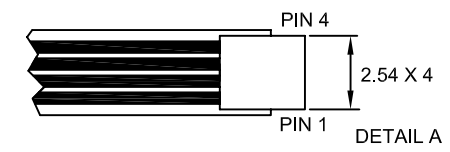
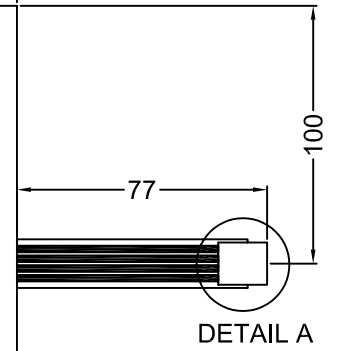


NOTE:
 1.CABLE IS ATTACHED TO THE RIGHT SIDE OF TOUCH PANEL AS SHOWN.
 2.TAIL CONNECTOR:PITCH 2.54mm



P/N	COVERSHEET TYPE	GLASS THICKNESS	FINISHED PART THICKNESS
4WR15021B3	ANTI-NEWTON RING	1.8	2.1 ± 0.2

CONNECTOR PINOUT	
PIN NO	ASSIGNMENT
1	Y down
2	X right
3	Y up
4	X left

宇鴻光電股份有限公司 ATouch Technologies Co., Ltd.		
MODEL NUMBER		4WR15021B3
DRAWN BY	DIMENSION UNIT	ISSUE DATE
KEN JHUANG	mm	01 / 06 / 10
CHECKED BY	SCALE	REV
MELISSA WEI	NOT TO SCALE	E