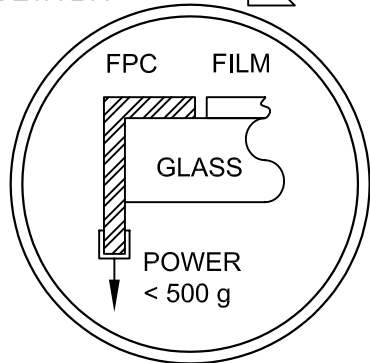
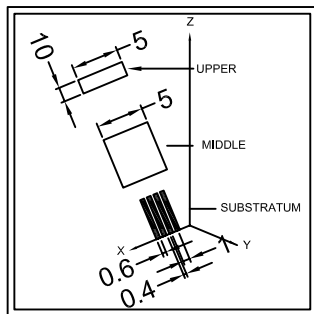
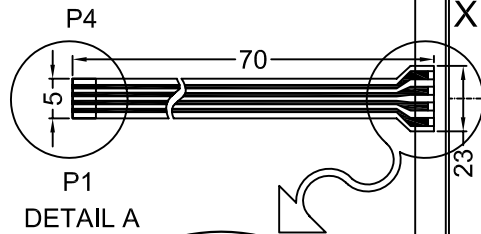
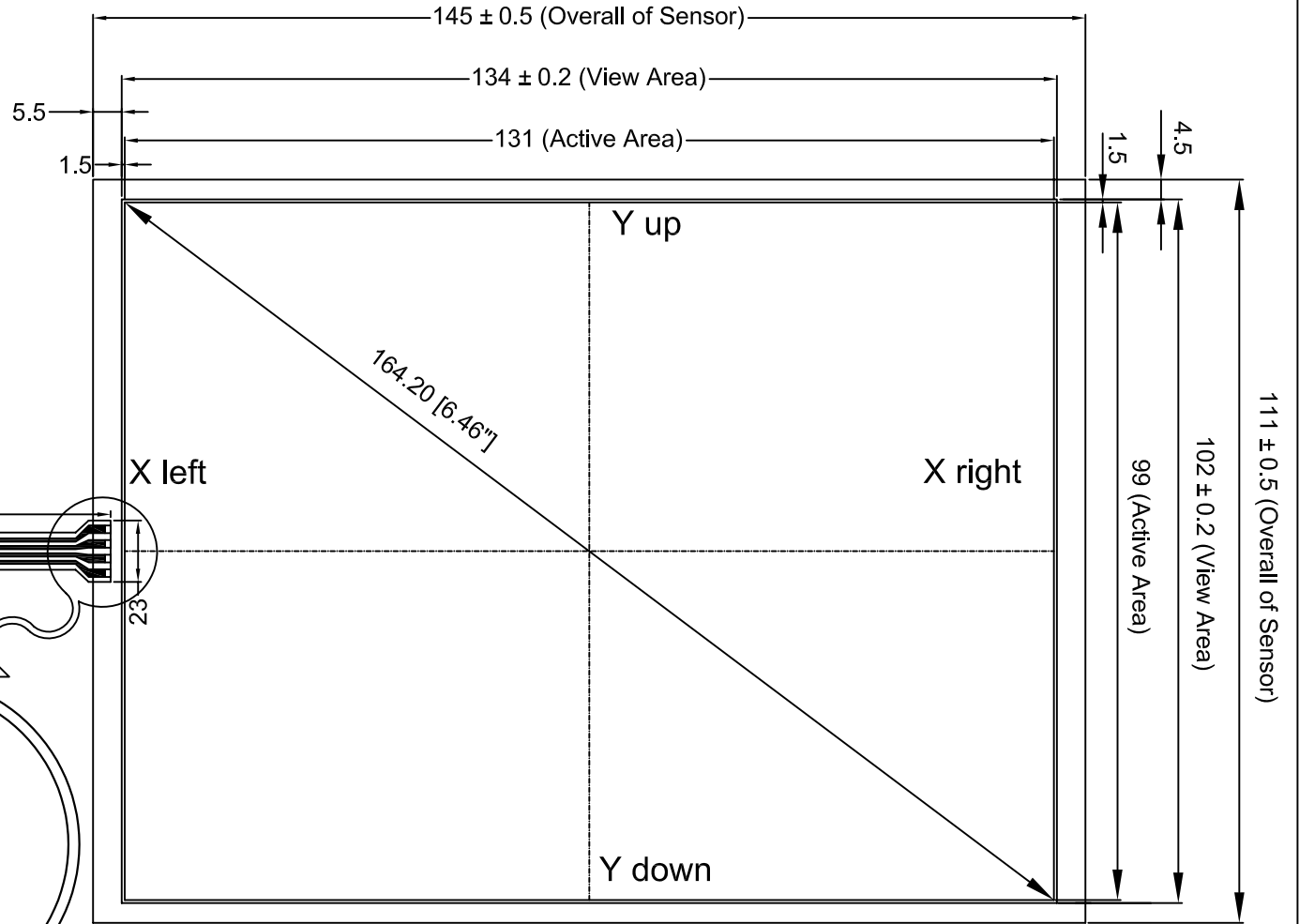


**NOTE:**

1. CABLE IS ATTACHED TO THE LEFT SIDE OF TOUCH PANEL AT CENTER POINT AS SHOWN.
2. FPC TAIL CONNECTOR: PITCH 1.00mm
3. ITO FILM IS ANTI-NEWTON RING TYPE.
4. DOT IS 3 mm \* 3 mm MATRIX.
5. DOT DIMENSION : 0.06 mm
6. ACTIVE AREA EXTEND OVERALL AMBIT IS DIAPHANOUS.



P/N	COVERSHEET TYPE	GLASS THICKNESS	FINISHED PART THICKNESS
4WR0641FG3	CLEAR	1.1	1.4 ± 0.2
4WR0641FN3	ANTI-GLARE		

CONNECTOR PINOUT	
PIN NO	ASSIGNMENT
1	X right
2	Y down
3	X left
4	Y up

宇鴻光電股份有限公司 ATouch Technologies Co., Ltd.		
MODEL NUMBER		4WR0641FA3
DRAWN BY	DIMENSION UNIT	ISSUE DATE
KEN JHUANG	mm	03 / 10 / 09
CHECKED BY	SCALE	REV
MELISSA WEI	NOT TO SCALE	F